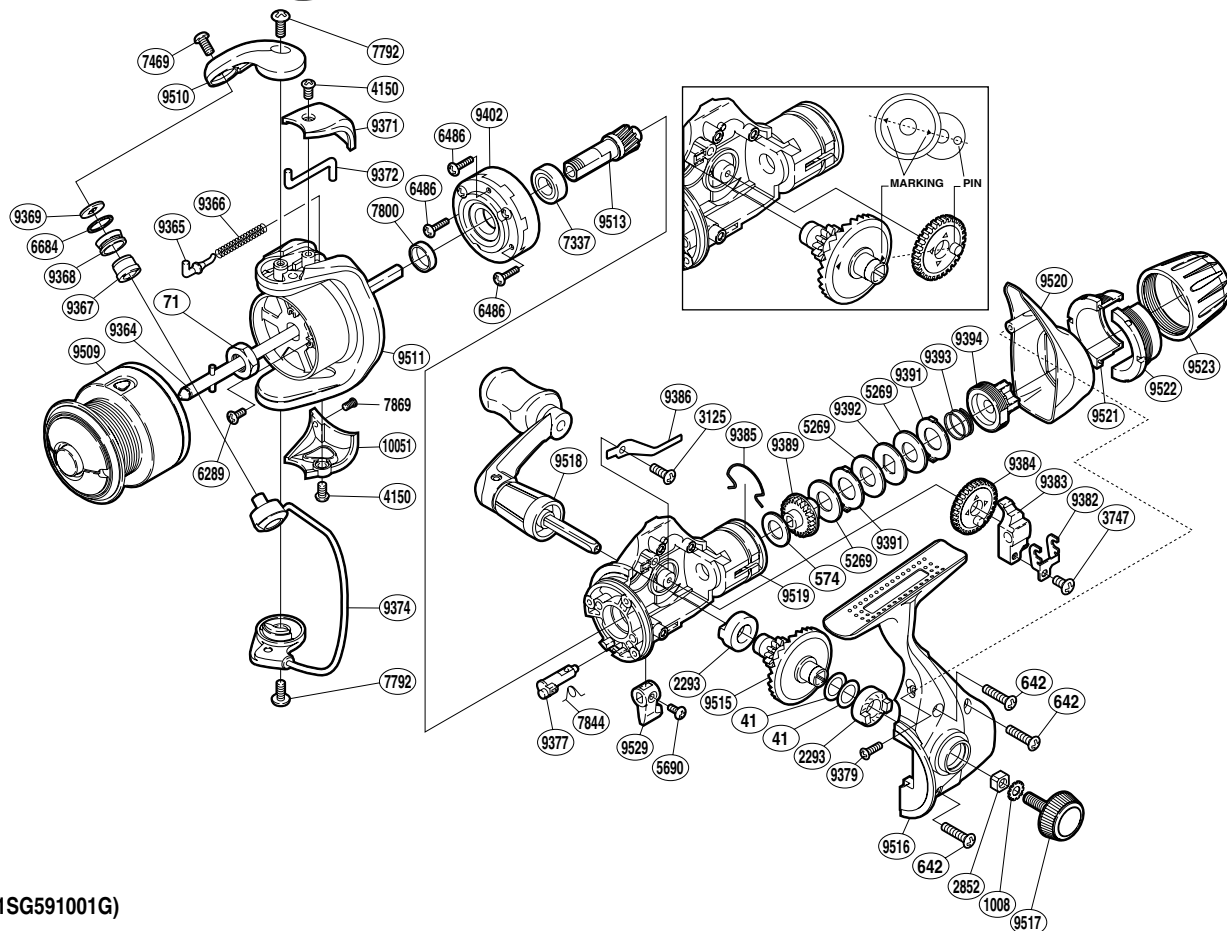


SHIMANO®

Alivio

ALV-1000RA



(1SG591001G)

| Part No. | Description | Part No. | Description | Part No. | Description |
|----------|-------------------------|----------|-----------------------------|----------|-------------------------|
| RD 0041 | Washer | RD 7869 | Screw | RD 9393 | Drag Coil Spring |
| RD 0071 | Rotor Nut | RD 9364 | Main Shaft | RD 9394 | Pressure Screw |
| RD 0574 | Drag Washer C (cloth) | RD 9365 | Bail Spring Guide | RD 9402 | Roller Clutch Assembly |
| RD 0642 | Screw | RD 9366 | Bail Spring | RD 9509 | Spool Assembly |
| RD 1008 | Handle Lock Washer | RD 9367 | Line Roller Bushing | RD 9510 | Bail Arm |
| RD 2293 | Drive Gear Bushing | RD 9368 | Line Roller | RD 9511 | Rotor |
| RD 2852 | Handle Screw Lock | RD 9369 | Line Roller Washer | RD 9513 | Pinion Gear |
| RD 3125 | Screw | RD 9371 | Bail Spring Cover | RD 9515 | Drive Gear |
| RD 3747 | Screw | RD 9372 | Bail Trip Lever | RD 9516 | Side Cover |
| RD 4150 | Screw | RD 9374 | Bail Assembly | RD 9517 | Handle Screw Cap |
| RD 5269 | Drag Washer H (blue) | RD 9377 | Anti-Reverse Cam | RD 9518 | Handle Assembly |
| RD 5690 | Screw | RD 9379 | Screw | RD 9519 | Body |
| RD 6289 | Screw | RD 9382 | Oscillating Slider Retainer | RD 9520 | Rear Protector |
| RD 6486 | Screw | RD 9383 | Oscillating Slider | RD 9521 | Drag Programmer B1 |
| RD 6684 | Line Roller Spacer | RD 9384 | Oscillating Gear | RD 9522 | Drag Programmer B2 |
| RD 7337 | Ball Bearing | RD 9385 | Hold Click Spring | RD 9523 | Drag Programmer A |
| RD 7469 | Screw | RD 9386 | Drag Click | RD 9529 | Anti-Reverse Lever |
| RD 7792 | Screw | RD 9389 | Drag Shaft | RD10051 | Bail Hold Support Guard |
| RD 7800 | Rotor Ring | RD 9391 | Eared Washer | | |
| RD 7844 | Anti-Reverse Cam Spring | RD 9392 | Key Washer | | |