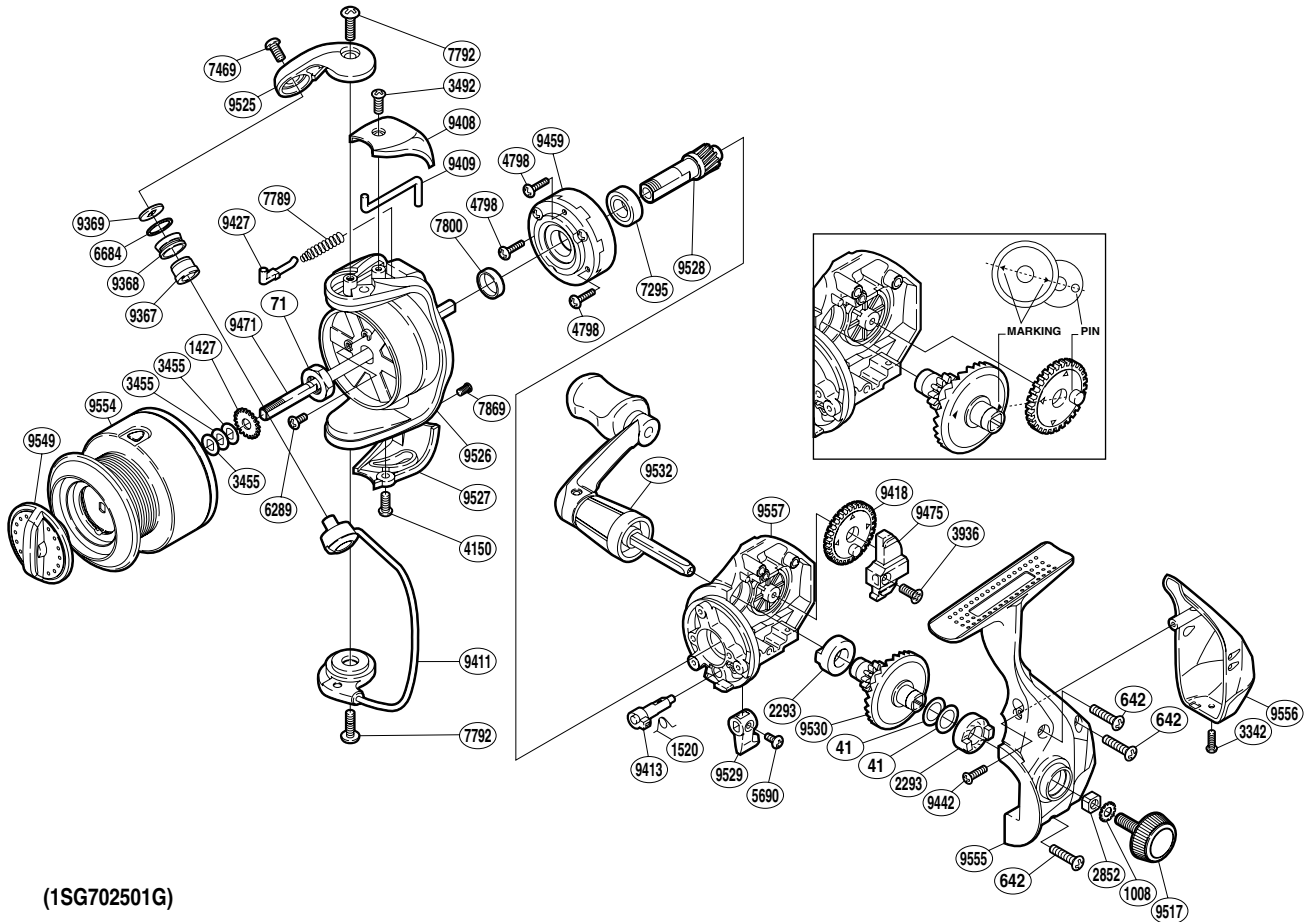


SHIMANO

Alivio

ALV-2500FA



(1SG702501G)

Part No.	Description	Part No.	Description	Part No.	Description
RD 0041	Washer	RD 7295	Ball Bearing	RD 9471	Main Shaft
RD 0071	Rotor Nut	RD 7469	Screw	RD 9475	Oscillating Slider
RD 0642	Screw	RD 7789	Bail Spring	RD 9517	Handle Screw Cap
RD 1008	Handle Lock Washer	RD 7792	Screw	RD 9525	Bail Arm
RD 1427	Spool Support	RD 7800	Rotor Ring	RD 9526	Rotor
RD 1520	Anti-Reverse Cam Spring	RD 7869	Screw	RD 9527	Bail Hold Support Guard
RD 2293	Drive Gear Bushing	RD 9367	Line Roller Bushing	RD 9528	Pinion Gear
RD 2852	Handle Screw Lock	RD 9368	Line Roller	RD 9529	Anti-Reverse Lever
RD 3342	Screw	RD 9369	Line Roller Washer	RD 9530	Drive Gear
RD 3455	Spool Washer	RD 9408	Bail Spring Cover	RD 9532	Handle Assembly
RD 3492	Screw	RD 9409	Bail Trip Lever	RD 9549	Drag Knob
RD 3936	Screw	RD 9411	Bail Assembly	RD 9554	Spool Assembly
RD 4150	Screw	RD 9413	Anti-Reverse Cam	RD 9555	Side Cover
RD 4798	Screw	RD 9418	Oscillating Gear	RD 9556	Rear Protector
RD 5690	Screw	RD 9427	Bail Spring Guide	RD 9557	Body
RD 6289	Screw	RD 9442	Screw		
RD 6684	Line Roller Spacer	RD 9459	Roller Clutch Assembly		