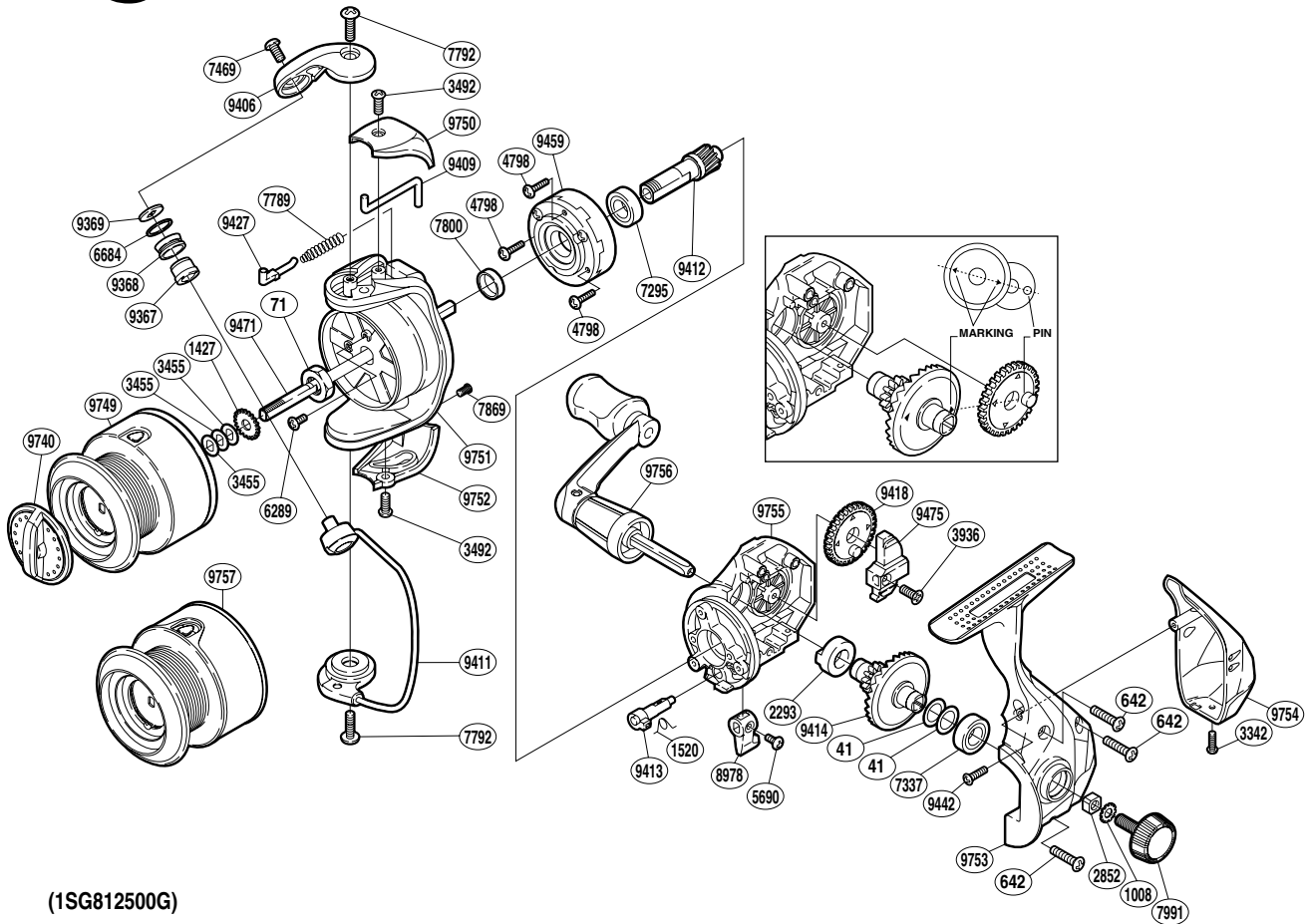


SHIMANO

CATANA

CAT-2500FA



(1SG812500G)

Part No.	Description	Part No.	Description	Part No.	Description
RD 0041	Washer	RD 7337	Ball Bearing	RD 9418	Oscillating Gear
RD 0071	Rotor Nut	RD 7469	Screw	RD 9427	Bail Spring Guide
RD 0642	Screw	RD 7789	Bail Spring	RD 9442	Screw
RD 1008	Handle Lock Washer	RD 7792	Screw	RD 9459	Roller Clutch Assembly
RD 1427	Spool Support	RD 7800	Rotor Ring	RD 9471	Main Shaft
RD 1520	Anti-Reverse Cam Spring	RD 7869	Screw	RD 9475	Oscillating Slider
RD 2293	Drive Gear Bushing	RD 7991	Handle Screw Cap	RD 9740	Drag Knob
RD 2852	Handle Screw Lock	RD 8978	Anti-Reverse Lever	RD 9749	Spool Assembly
RD 3342	Screw	RD 9367	Line Roller Bushing	RD 9750	Bail Spring Cover
RD 3455	Spool Washer	RD 9368	Line Roller	RD 9751	Rotor
RD 3492	Screw	RD 9369	Line Roller Washer	RD 9752	Bail Hold Support Guard
RD 3936	Screw	RD 9406	Bail Arm	RD 9753	Side Cover
RD 4798	Screw	RD 9409	Bail Trip Lever	RD 9754	Rear Protector
RD 5690	Screw	RD 9411	Bail Assembly	RD 9755	Body
RD 6289	Screw	RD 9412	Pinion Gear	RD 9756	Handle Assembly
RD 6684	Line Roller Spacer	RD 9413	Anti-Reverse Cam		
RD 7295	Ball Bearing	RD 9414	Drive Gear	RD 9757	Spare Spool Assembly