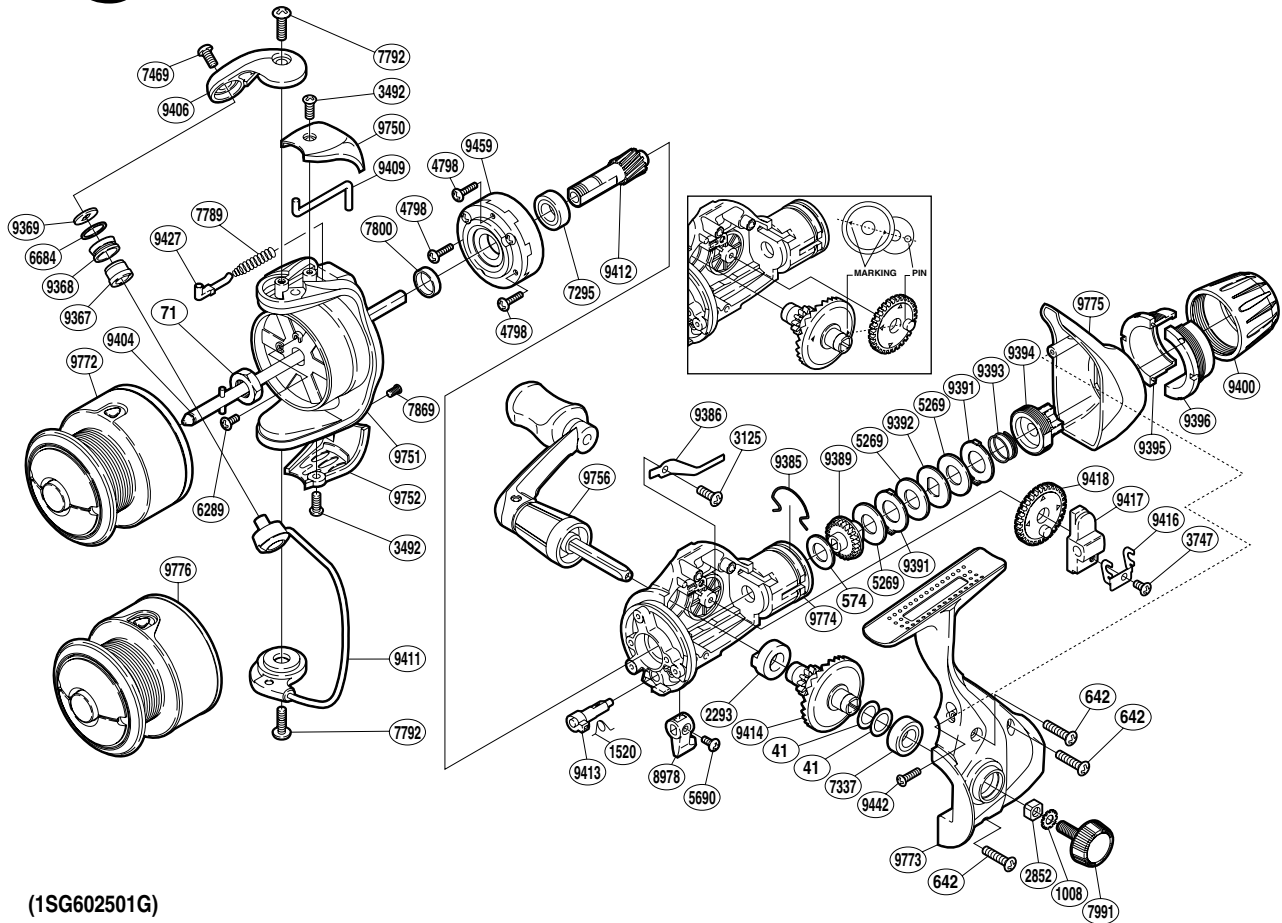


# SHIMANO

## CATANA

### CAT-2500RA



(1SG602501G)

| Part No. | Description             | Part No. | Description         | Part No. | Description                 |
|----------|-------------------------|----------|---------------------|----------|-----------------------------|
| RD 0041  | Washer                  | RD 7800  | Rotor Ring          | RD 9412  | Pinion Gear                 |
| RD 0071  | Rotor Nut               | RD 7869  | Screw               | RD 9413  | Anti-Reverse Cam            |
| RD 0574  | Drag Washer C (cloth)   | RD 7991  | Handle Screw Cap    | RD 9414  | Drive Gear                  |
| RD 0642  | Screw                   | RD 8978  | Anti-Reverse Lever  | RD 9416  | Oscillating Slider Retainer |
| RD 1008  | Handle Lock Washer      | RD 9367  | Line Roller Bushing | RD 9417  | Oscillating Slider          |
| RD 1520  | Anti-Reverse Cam Spring | RD 9368  | Line Roller         | RD 9418  | Oscillating Gear            |
| RD 2293  | Drive Gear Bushing      | RD 9369  | Line Roller Washer  | RD 9427  | Bail Spring Guide           |
| RD 2852  | Handle Screw Lock       | RD 9385  | Hold Click Spring   | RD 9442  | Screw                       |
| RD 3125  | Screw                   | RD 9386  | Drag Click          | RD 9459  | Roller Clutch Assembly      |
| RD 3492  | Screw                   | RD 9389  | Drag Shaft          | RD 9750  | Bail Spring Cover           |
| RD 3747  | Screw                   | RD 9391  | Eared Washer        | RD 9751  | Rotor                       |
| RD 4798  | Screw                   | RD 9392  | Key Washer          | RD 9752  | Bail Hold Support Guard     |
| RD 5269  | Drag Washer H (blue)    | RD 9393  | Drag Coil Spring    | RD 9756  | Handle Assembly             |
| RD 5690  | Screw                   | RD 9394  | Pressure Screw      | RD 9772  | Spool Assembly              |
| RD 6289  | Screw                   | RD 9395  | Drag Programmer B1  | RD 9773  | Side Cover                  |
| RD 6684  | Line Roller Spacer      | RD 9396  | Drag Programmer B2  | RD 9774  | Body                        |
| RD 7295  | Ball Bearing            | RD 9400  | Drag Programmer A   | RD 9775  | Rear Protector              |
| RD 7337  | Ball Bearing            | RD 9404  | Main Shaft          |          |                             |
| RD 7469  | Screw                   | RD 9406  | Bail Arm            |          |                             |
| RD 7789  | Bail Spring             | RD 9409  | Bail Trip Lever     |          |                             |
| RD 7792  | Screw                   | RD 9411  | Bail Assembly       | RD 9776  | Spare Spool Assembly        |