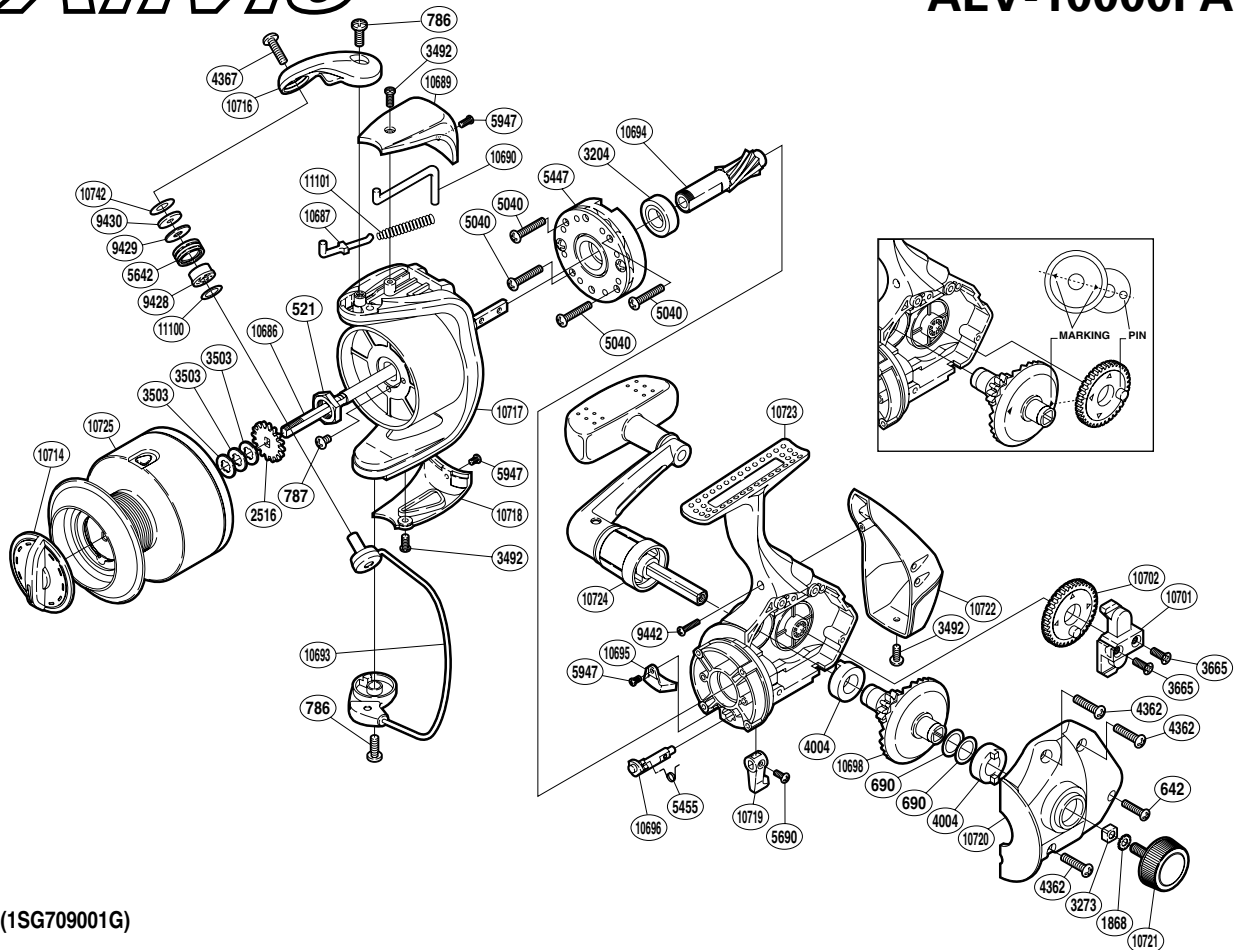


SHIMANO®

Alivio

ALV-10000FA



(1SG709001G)

Part No.	Description	Part No.	Description	Part No.	Description
RD 0521	Rotor Nut	RD 5455	Anti-Reverse Cam Spring	RD10701	Oscillating Slider
RD 0642	Screw	RD 5642	Line Roller	RD10702	Oscillating Gear
RD 0690	Washer	RD 5690	Screw	RD10714	Drag Knob
RD 0786	Screw	RD 5947	Screw	RD10716	Bail Arm
RD 0787	Screw	RD 9428	Line Roller Bushing	RD10717	Rotor
RD 1868	Handle Lock Washer	RD 9429	Line Roller Spacer	RD10718	Bail Hold Support Guard
RD 2516	Spool Support	RD 9430	Line Roller Washer	RD10719	Anti-Reverse Lever
RD 3204	Ball Bearing	RD 9442	Screw	RD10720	Side Cover
RD 3273	Handle Screw Lock	RD10686	Main Shaft	RD10721	Handle Screw Cap
RD 3492	Screw	RD10687	Bail Spring Guide A	RD10722	Rear Protector
RD 3503	Spool Washer	RD10689	Bail Spring Cover	RD10723	Body
RD 3665	Screw	RD10690	Bail Trip Lever	RD10724	Handle Assembly
RD 4004	Drive Gear Bushing	RD10693	Bail Assembly	RD10725	Spool Assembly
RD 4362	Screw	RD10694	Pinion Gear	RD10742	Spacer
RD 4367	Screw	RD10695	Bail Trip Strike	RD11100	Washer
RD 5040	Screw	RD10696	Anti-Reverse Cam	RD11101	Bail Spring
RD 5447	Roller Clutch Assembly	RD10698	Drive Gear		

(180619)