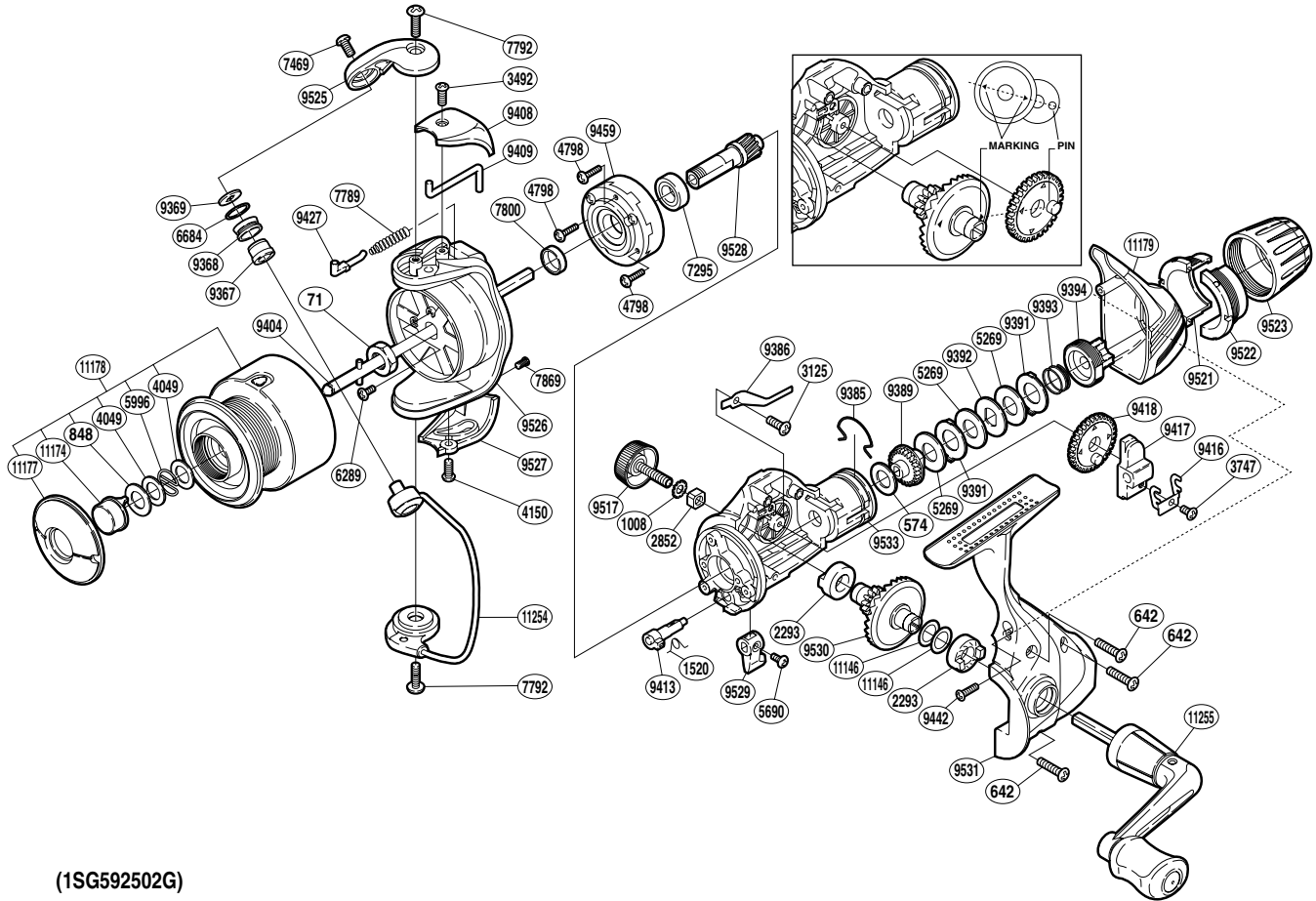


SHIMANO

ALIVIO

ALV-2500RB



(1SG592502G)

Part No.	Description	Part No.	Description	Part No.	Description
RD 0071	Rotor Nut	RD 7792	Screw	RD 9459	Roller Clutch Assembly
RD 0574	Drag Washer	RD 7800	Rotor Ring	RD 9517	Handle Screw Cap
RD 0642	Screw	RD 7869	Screw	RD 9521	Drag Programmer B1
RD 0848	Washer	RD 9367	Line Roller Bushing	RD 9522	Drag Programmer B2
RD 1008	Handle Lock Washer	RD 9368	Line Roller	RD 9523	Drag Programmer A
RD 1520	Anti-Reverse Cam Spring	RD 9369	Line Roller Washer	RD 9525	Bail Arm
RD 2293	Drive Gear Bushing	RD 9385	Hold Click Spring	RD 9526	Rotor
RD 2852	Handle Screw Lock	RD 9386	Drag Click	RD 9527	Bail Hold Support Guard
RD 3125	Screw	RD 9389	Drag Shaft	RD 9528	Pinion Gear
RD 3492	Screw	RD 9391	Eared Washer	RD 9529	Anti-Reverse Lever
RD 3747	Screw	RD 9392	Key Washer	RD 9530	Drive Gear
RD 4049	Washer	RD 9393	Drag Coil Spring	RD 9531	Side Cover
RD 4150	Screw	RD 9394	Pressure Screw	RD 9533	Body
RD 4798	Screw	RD 9404	Main Shaft	RD11146	Washer
RD 5269	Drag Washer	RD 9408	Bail Spring Cover	RD11174	Push Button
RD 5690	Screw	RD 9409	Bail Trip Lever	RD11177	Push Button Collar
RD 5996	Locking Spring	RD 9413	Anti-Reverse Cam	RD11178	Spool Assembly
RD 6289	Screw	RD 9416	Oscillating Slider Retainer	RD11179	Rear Protector
RD 6684	Line Roller Spacer	RD 9417	Oscillating Slider	RD11254	Bail Assembly
RD 7295	Ball Bearing	RD 9418	Oscillating Gear	RD11255	Handle Assembly
RD 7469	Screw	RD 9427	Bail Spring Guide		
RD 7789	Bail Spring	RD 9442	Screw		

(190208)