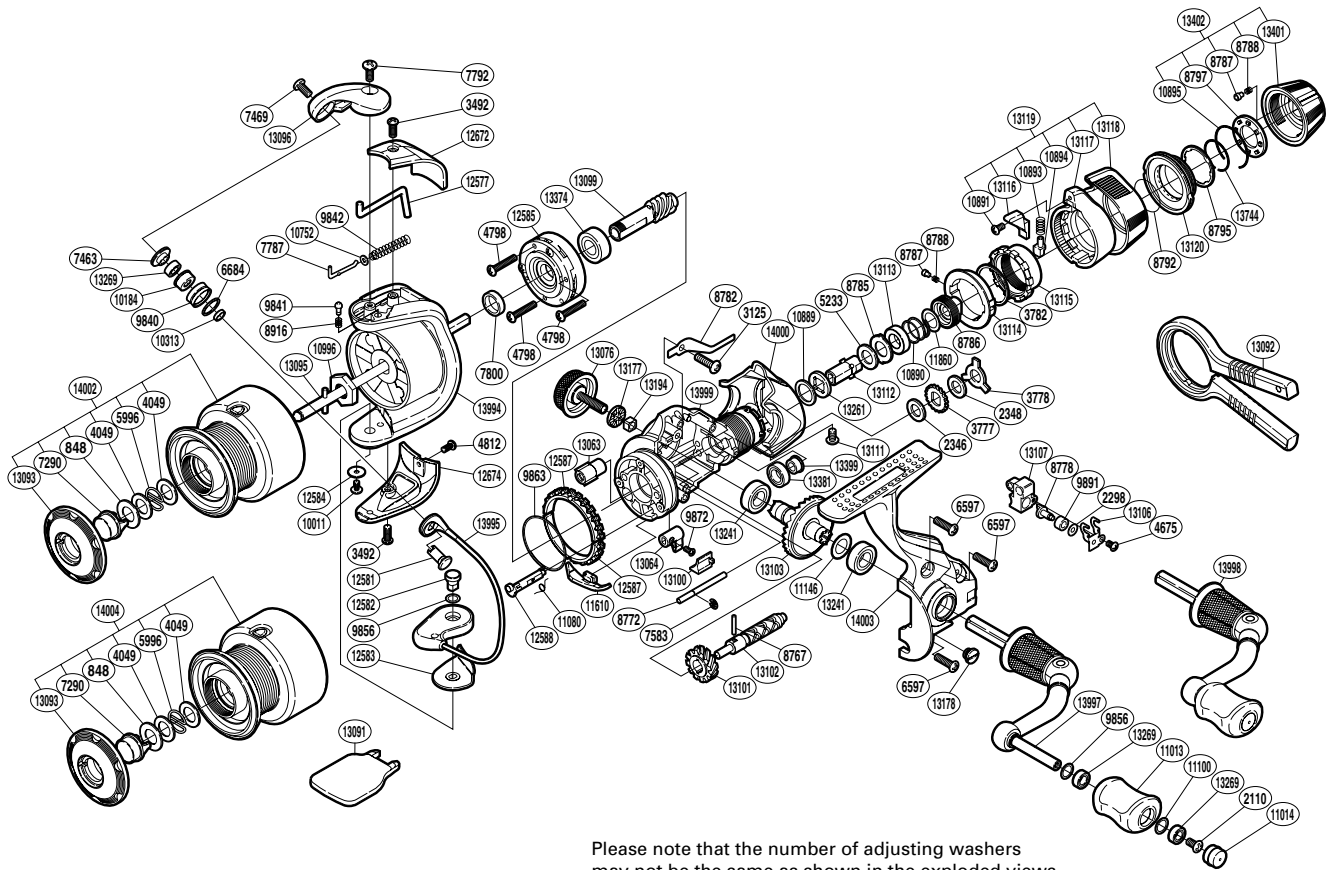


SHIMANO

BIOMASTER S A-RB

BIO-1500RA



(1SH151500G)

Please note that the number of adjusting washers may not be the same as shown in the exploded views. (Adjustment will vary with each individual product.)

Part No.	Description	Part No.	Description	Part No.	Description
RD 0848	Washer	RD 9856	Washer	RD13101	Idle Gear
RD 2110	Screw	RD 9863	Friction Spring	RD13102	Worm Shaft
RD 2298	Spacer	RD 9872	Screw	RD13103	Drive Gear
RD 2346	Drag Washer	RD 9891	Oscillating Slider Bushing	RD13106	Oscillating Slider Retainer
RD 2348	Drag Washer	RD10011	Screw	RD13107	Oscillating Slider
RD 3125	Screw	RD10184	Line Roller Bushing	RD13111	Screw
RD 3492	Screw	RD10313	Bearing Spacer	RD13112	Drag Shaft A
RD 3777	Click Gear	RD10752	Spring Guide A Support	RD13113	Drag Collar
RD 3778	Eared Washer	RD10889	Drag Washer	RD13114	Lever Click Gear
RD 3782	Fightin' Pressure Screw Washer	RD10890	Drag Coil Spring	RD13115	Fightin' Pressure Screw
RD 4049	Washer	RD10891	Screw	RD13116	Fightin' Lever Inner B
RD 4675	Screw	RD10893	Position Pin Spring	RD13117	Fightin' Lever Inner A
RD 4798	Screw	RD10894	Lever Position Pin	RD13118	Fightin' Lever Outer
RD 4812	Screw	RD10895	Click Plate Retainer	RD13119	Fightin' Lever Assembly
RD 5233	Drag Washer	RD10996	Rotor Nut	RD13120	Drag Programmer B
RD 5996	Locking Spring	RD11013	Handle Knob	RD13177	Handle Screw Cap Spacer
RD 6597	Screw	RD11014	Handle Knob Seal	RD13178	Oil Cap
RD 6684	Line Roller Spacer	RD11080	Anti-Reverse Cam Spring	RD13194	Handle Screw Lock
RD 7290	Push Button	RD11100	Washer	RD13241	Ball Bearing
RD 7463	Line Roller Washer	RD11146	Washer	RD13261	Drag Shaft B
RD 7469	Screw	RD11610	Bail Trip Strike	RD13269	Ball Bearing
RD 7583	E Lock	RD11860	Washer	RD13374	Ball Bearing
RD 7787	Bail Spring Guide A	RD12577	Bail Trip Lever	RD13381	Ball Bearing
RD 7792	Screw	RD12581	Line Roller Support	RD13399	Drag Shaft C
RD 7800	Rotor Ring	RD12582	Bail Hold Support Shaft	RD13401	Drag Programmer A
RD 8767	Worm Shaft Pin	RD12583	Bail Hold Support Spacer	RD13402	Drag Programmer Assembly
RD 8772	Oscillating Guide	RD12584	Washer	RD13744	Drag Knob Retainer
RD 8778	Oscillating Pawl	RD12585	Roller Clutch Assembly	RD13994	Rotor
RD 8782	Drag Click	RD12587	Friction Ring	RD13995	Bail Assembly
RD 8785	Eared Washer	RD12588	Anti-Reverse Cam	RD13997	Handle Shank Assembly
RD 8786	Pressure Screw	RD12672	Bail Spring Cover	RD13998	Handle Assembly
RD 8787	Click Pin	RD12674	Bail Hold Support Guard	RD13999	Body
RD 8788	Click Spring	RD13063	Worm Bushing	RD14000	Rear Protector
RD 8792	Drag Knob Friction Ring	RD13064	Anti-Reverse Lever	RD14002	Spool Assembly
RD 8795	Drag Knob Washer	RD13076	Handle Screw Cap	RD14003	Side Cover
RD 8797	Click Plate	RD13093	Push Button Collar		
RD 8916	Click Spring	RD13095	Main Shaft	RD14004	Spare Spool Assembly
RD 9840	Line Roller	RD13096	Bail Arm		
RD 9841	Click Pin	RD13099	Pinion Gear	RD13091	Spool Wrench (accessory)
RD 9842	Bail Spring	RD13100	Anti-Reverse Lever Cover	RD13092	Knob Wrench (accessory)