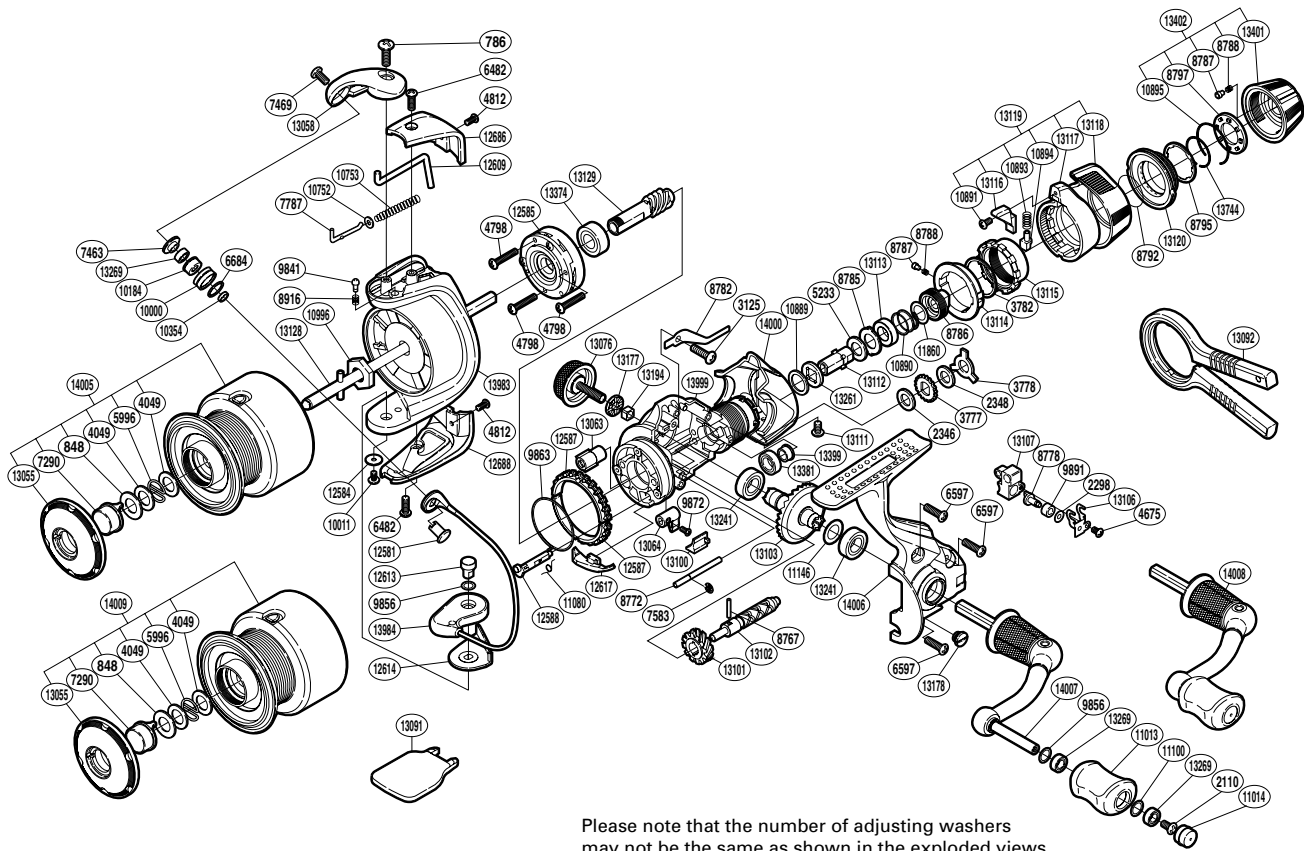


SHIMANO

BIOMASTER S A-RB

BIO-3000SRA



(1SH153100G)

Please note that the number of adjusting washers may not be the same as shown in the exploded views. (Adjustment will vary with each individual product.)

Part No.	Description	Part No.	Description	Part No.	Description
RD 0786	Screw	RD 9891	Oscillating Slider Bushing	RD13106	Oscillating Slider Retainer
RD 0848	Washer	RD10000	Line Roller	RD13107	Oscillating Slider
RD 2110	Screw	RD10011	Screw	RD13111	Screw
RD 2298	Spacer	RD10184	Line Roller Bushing	RD13112	Drag Shaft A
RD 2346	Drag Washer	RD10354	Bearing Spacer	RD13113	Drag Collar
RD 2348	Drag Washer	RD10752	Spring Guide A Support	RD13114	Lever Click Gear
RD 3125	Screw	RD10753	Bail Spring	RD13115	Fightin' Pressure Screw
RD 3777	Click Gear	RD10889	Drag Washer	RD13116	Fightin' Lever Inner B
RD 3778	Eared Washer	RD10890	Drag Coil Spring	RD13117	Fightin' Lever Inner A
RD 3782	Fightin' Pressure Screw Washer	RD10891	Screw	RD13118	Fightin' Lever Outer
RD 4049	Washer	RD10893	Position Pin Spring	RD13119	Fightin' Lever Assembly
RD 4675	Screw	RD10894	Lever Position Pin	RD13120	Drag Programmer B
RD 4798	Screw	RD10895	Click Plate Retainer	RD13128	Main Shaft
RD 4812	Screw	RD10996	Rotor Nut	RD13129	Pinion Gear
RD 5233	Drag Washer	RD11013	Handle Knob	RD13177	Handle Screw Cap Spacer
RD 5996	Locking Spring	RD11014	Handle Knob Seal	RD13178	Oil Cap
RD 6482	Screw	RD11080	Anti-Reverse Cam Spring	RD13194	Handle Screw Lock
RD 6597	Screw	RD11100	Washer	RD13241	Ball Bearing
RD 6684	Line Roller Spacer	RD11146	Washer	RD13261	Drag Shaft B
RD 7290	Push Button	RD11860	Washer	RD13269	Ball Bearing
RD 7463	Line Roller Washer	RD12581	Line Roller Support	RD13374	Ball Bearing
RD 7469	Screw	RD12584	Washer	RD13381	Ball Bearing
RD 7583	E Lock	RD12585	Roller Clutch Assembly	RD13399	Drag Shaft C
RD 7787	Bail Spring Guide A	RD12587	Friction Ring	RD13401	Drag Programmer A
RD 8767	Worm Shaft Pin	RD12588	Anti-Reverse Cam	RD13402	Drag Programmer Assembly
RD 8772	Oscillating Guide	RD12609	Bail Trip Lever	RD13744	Drag Knob Retainer
RD 8778	Oscillating Pawl	RD12613	Bail Hold Support Shaft	RD13983	Rotor
RD 8782	Drag Click	RD12614	Bail Hold Support Spacer	RD13984	Bail Assembly
RD 8785	Eared Washer	RD12617	Bail Trip Strike	RD13999	Body
RD 8786	Pressure Screw	RD12686	Bail Spring Cover	RD14000	Rear Protector
RD 8787	Click Pin	RD12688	Bail Hold Support Guard	RD14005	Spool Assembly
RD 8788	Click Spring	RD13055	Push Button Collar	RD14006	Side Cover
RD 8792	Drag Knob Friction Ring	RD13058	Bail Arm	RD14007	Handle Shank Assembly
RD 8795	Drag Knob Washer	RD13063	Worm Bushing	RD14008	Handle Assembly
RD 8797	Click Plate	RD13064	Anti-Reverse Lever		
RD 8916	Click Spring	RD13076	Handle Screw Cap	RD14009	Spare Spool Assembly
RD 9841	Click Pin	RD13100	Anti-Reverse Lever Cover		
RD 9856	Washer	RD13101	Idle Gear		
RD 9863	Friction Spring	RD13102	Worm Shaft	RD13091	Spool Wrench (accessory)
RD 9872	Screw	RD13103	Drive Gear	RD13092	Knob Wrench (accessory)