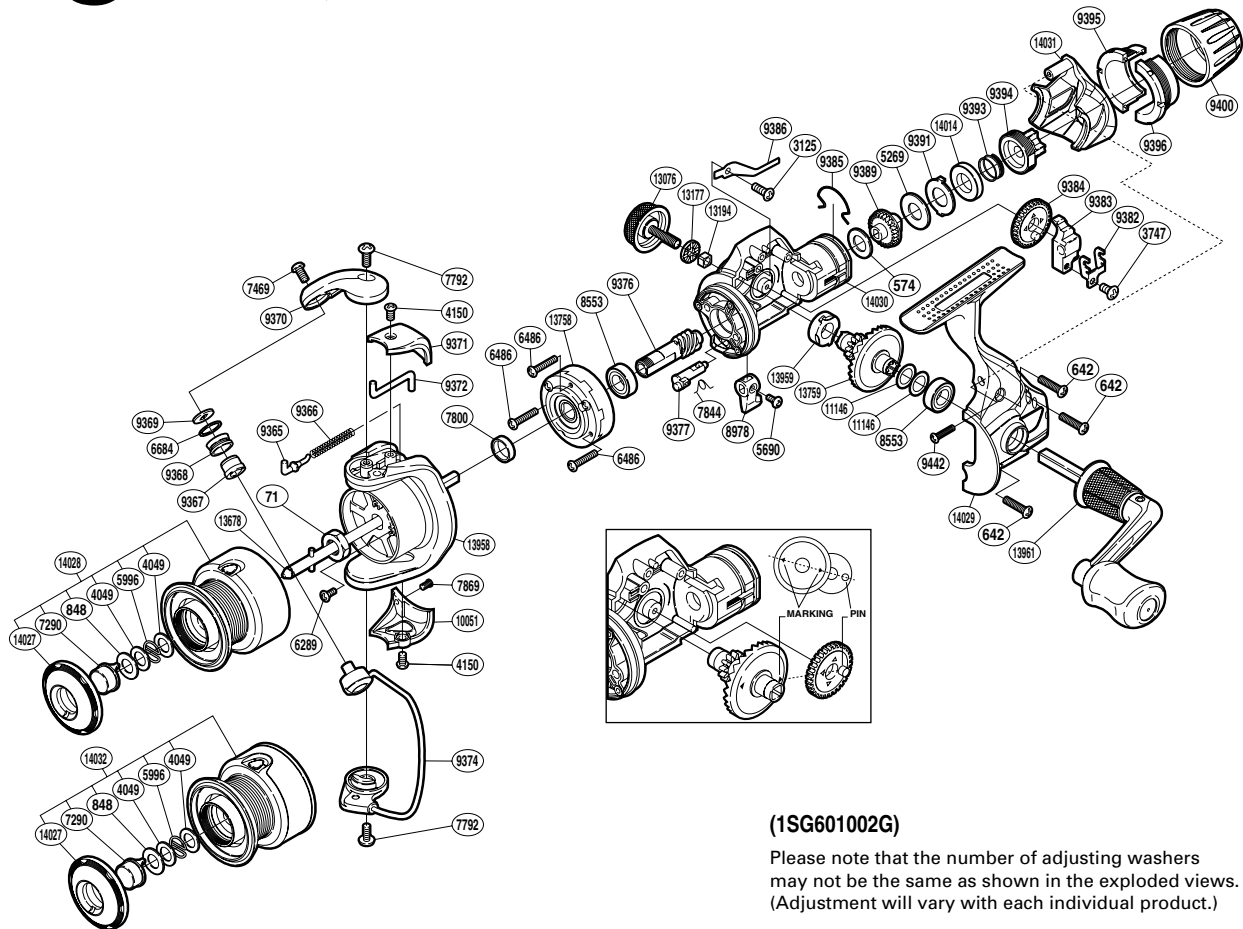


# SHIMANO



## CAT-1000RB



(1SG601002G)

Please note that the number of adjusting washers may not be the same as shown in the exploded views. (Adjustment will vary with each individual product.)

Part No.	Description	Part No.	Description	Part No.	Description
RD 0071	Rotor Nut	RD 9365	Bail Spring Guide	RD 9400	Drag Programmer A
RD 0574	Drag Washer	RD 9366	Bail Spring	RD 9442	Screw
RD 0642	Screw	RD 9367	Line Roller Bushing	RD10051	Bail Hold Support Guard
RD 0848	Washer	RD 9368	Line Roller	RD11146	Washer
RD 3125	Screw	RD 9369	Line Roller Washer	RD13076	Handle Screw Cap
RD 3747	Screw	RD 9370	Bail Arm	RD13177	Handle Screw Cap Spacer
RD 4049	Washer	RD 9371	Bail Spring Cover	RD13194	Handle Screw Lock
RD 4150	Screw	RD 9372	Bail Trip Lever	RD13678	Main Shaft
RD 5269	Drag Washer	RD 9374	Bail Assembly	RD13758	Roller Clutch Assembly
RD 5690	Screw	RD 9376	Pinion Gear	RD13759	Drive Gear
RD 5996	Locking Spring	RD 9377	Anti-Reverse Cam	RD13958	Rotor
RD 6289	Screw	RD 9382	Oscillating Slider Retainer	RD13959	Drive Gear Bushing
RD 6486	Screw	RD 9383	Oscillating Slider	RD13961	Handle Assembly
RD 6684	Line Roller Spacer	RD 9384	Oscillating Gear	RD14014	Drag Collar
RD 7290	Push Button	RD 9385	Hold Click Spring	RD14027	Push Button Collar
RD 7469	Screw	RD 9386	Drag Click	RD14028	Spool Assembly
RD 7792	Screw	RD 9389	Drag Shaft	RD14029	Side Cover
RD 7800	Rotor Ring	RD 9391	Eared Washer	RD14030	Body
RD 7844	Anti-Reverse Cam Spring	RD 9393	Drag Coil Spring	RD14031	Rear Protector
RD 7869	Screw	RD 9394	Pressure Screw		
RD 8553	Ball Bearing	RD 9395	Drag Programmer B1		
RD 8978	Anti-Reverse Lever	RD 9396	Drag Programmer B2	RD14032	Spare Spool Assembly