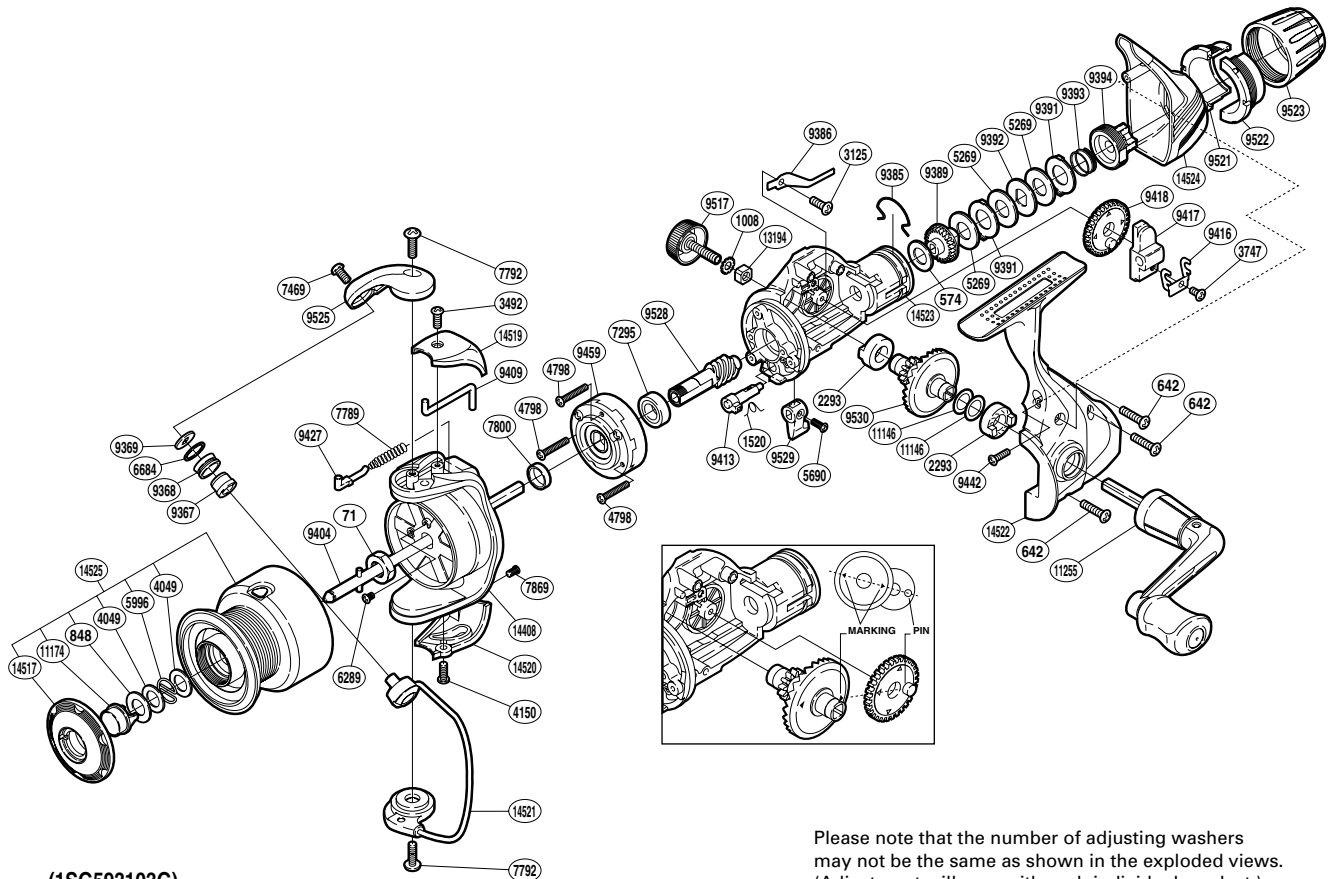


SHIMANO

ALIVIO

ALV-3000SRC



(1SG593103G)

Please note that the number of adjusting washers may not be the same as shown in the exploded views. (Adjustment will vary with each individual product.)

Part No.	Description	Part No.	Description	Part No.	Description
RD 0071	Rotor Nut	RD 7800	Rotor Ring	RD 9521	Drag Programmer B1
RD 0574	Drag Washer	RD 7869	Screw	RD 9522	Drag Programmer B2
RD 0642	Screw	RD 9367	Line Roller Bushing	RD 9523	Drag Programmer A
RD 0848	Washer	RD 9368	Line Roller	RD 9525	Bail Arm
RD 1008	Handle Lock Washer	RD 9369	Line Roller Washer	RD 9528	Pinion Gear
RD 1520	Anti-Reverse Cam Spring	RD 9385	Hold Click Spring	RD 9529	Anti-Reverse Lever
RD 2293	Drive Gear Bushing	RD 9386	Drag Click	RD 9530	Drive Gear
RD 3125	Screw	RD 9389	Drag Shaft	RD11146	Washer
RD 3492	Screw	RD 9391	Eared Washer	RD11174	Push Button
RD 3747	Screw	RD 9392	Key Washer	RD11255	Handle Assembly
RD 4049	Washer	RD 9393	Drag Coil Spring	RD13194	Handle Screw Lock
RD 4150	Screw	RD 9394	Pressure Screw	RD14408	Rotor
RD 4798	Screw	RD 9404	Main Shaft	RD14517	Push Button Collar
RD 5269	Drag Washer	RD 9409	Bail Trip Lever	RD14519	Bail Spring Cover
RD 5690	Screw	RD 9413	Anti-Reverse Cam	RD14520	Bail Hold Support Guard
RD 5996	Locking Spring	RD 9416	Oscillating Slider Retainer	RD14521	Bail Assembly
RD 6289	Screw	RD 9417	Oscillating Slider	RD14522	Side Cover
RD 6684	Line Roller Spacer	RD 9418	Oscillating Gear	RD14523	Body
RD 7295	Ball Bearing	RD 9427	Bail Spring Guide	RD14524	Rear Protector
RD 7469	Screw	RD 9442	Screw	RD14525	Spool Assembly
RD 7789	Bail Spring	RD 9459	Roller Clutch Assembly		
RD 7792	Screw	RD 9517	Handle Screw Cap		