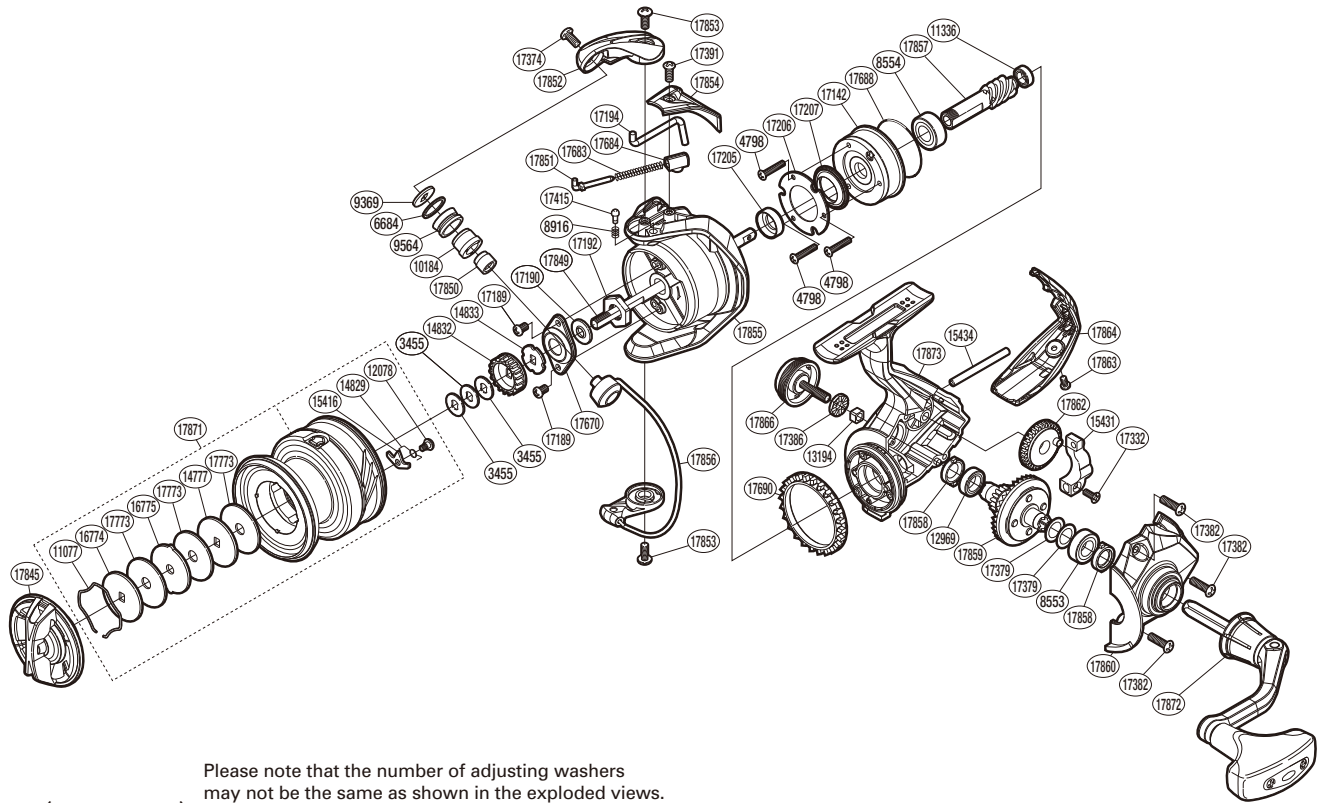


SHIMANO

NASCI

NAS-C3000FB



Please note that the number of adjusting washers may not be the same as shown in the exploded views. (51SD412900X) (Adjustment will vary with each individual product.)

Part No.	Description	Part No.	Description	Part No.	Description
RD 3455	Spool Washer	RD16775	Eared Washer	RD17845	Drag Knob
RD 4798	Roller Clutch Screw	RD17142	Roller Clutch Assembly	RD17849	Main Shaft
RD 6684	Line Roller Spacer	RD17189	Screw	RD17850	Line Roller Collar
RD 8553	Ball Bearing	RD17190	Bearing Water Proof	RD17851	Bail Spring Guide
RD 8554	Ball Bearing	RD17192	Rotor Nut	RD17852	Bail Arm
RD 8916	Click Spring	RD17194	Bail Trip Lever	RD17853	Screw
RD 9369	Line Roller Washer	RD17205	Rotor Ring	RD17854	Bail Spring Cover
RD 9564	Line Roller	RD17206	Roller Clutch Reinforce	RD17855	Rotor
RD10184	Line Roller Bushing	RD17207	Roller Clutch Water Proof	RD17856	Bail Assembly
RD11077	Drag Washers Retainer	RD17332	Screw	RD17857	Pinion Gear
RD11336	Ball Bearing	RD17374	Screw	RD17858	Bearing Water Proof
RD12078	Screw	RD17379	Washer	RD17859	Drive Gear
RD12969	Ball Bearing	RD17382	Screw	RD17860	Side Cover
RD13194	Handle Screw Lock	RD17386	Handle Screw Cap Spacer	RD17862	Oscillating Gear
RD14777	Key Washer	RD17391	Screw	RD17863	Screw
RD14829	Drag Click Spring	RD17415	Click Pin	RD17864	Rear Protector
RD14832	Spool Support A	RD17670	Rotor Nut Lock Plate	RD17866	Handle Screw Cap
RD14833	Spool Support B	RD17683	Bail Spring	RD17871	Spool Assembly
RD15416	Drag Click	RD17684	Bail Spring Seat	RD17872	Handle Assembly
RD15431	Oscillating Slider	RD17688	O Ring	RD17873	Body
RD15434	Oscillating Guide	RD17690	Friction Ring		
RD16774	Key Washer	RD17773	Drag Washer		